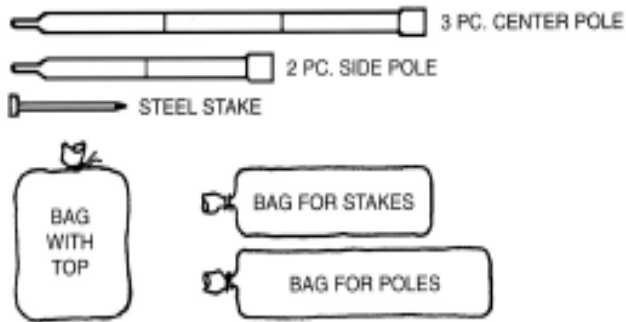


ALL-PURPOSE CANOPY PARTS LIST.



MANPOWER REQUIRED

Two installers should be able to assemble an All-Purpose Canopy in approximately thirty minutes.

TOOLS REQUIRED

Sledge Hammer

INSPECT SITE CAUTION:

Consult local utility company prior to installation.

Prior to assembly be sure to look around area for obstacles, pipes, wires, etc.

LAYOUT & CHECK

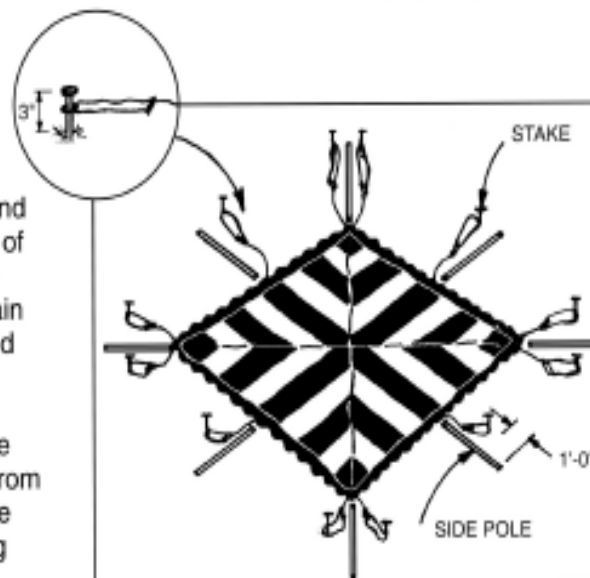
Use parts list for a quick identification and check list for proper quantities.

PARTS	CANOPY SIZE			
	10 x 10	12 x 12 THROUGH 20 x 20	20 x 30	20 x 40
SIDE POLE	4	8	10	12
CENTER POLE	1	1	2	3
STAKES	8	12	14	16
BAG WITH TOP	1	1	1	1
BAG FOR POLES	1	1	1	1
BAG FOR STAKES	1	1	1	1

2

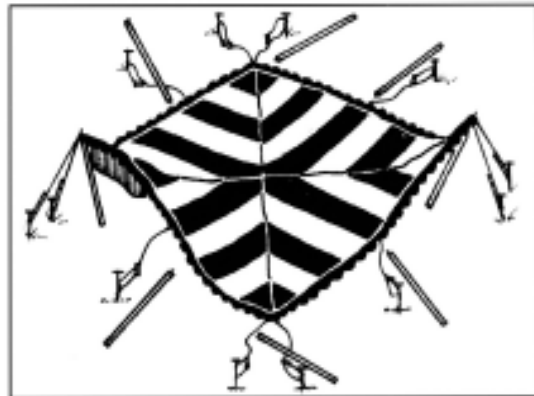
LAYOUT AT SITE

20' X 20' canopy used as example. Spread drop cloths and unroll canopy at exact position of desired finished assembly. Any sharp objects which must remain on site under the canopy should be padded and taped. Assemble side poles and lay straight out from each pole hole in canopy. Drive a stake 1'-0" from the end of each pole. The stake must be driven through the ring attached to each guy rope as shown.



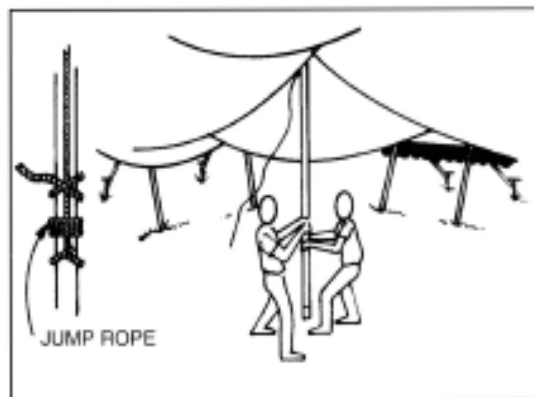
2 RAISE SIDE POLES

Start at opposite corners.
Insert side poles into pole holes
and raise so that bottom of
poles slant toward center of
canopy.
Adjust guy rope.
Continue with other two corners
and then sides.



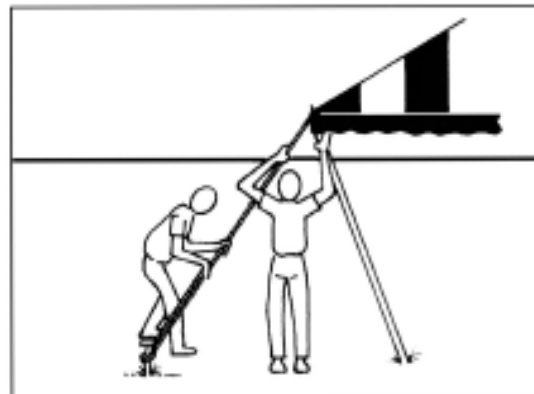
3 RAISE CENTER POLE

Assemble three piece center
pole and insert into center pole
hole.
Raise to upright position and tie
off jump rope to pole.



4 SIDE POLE ADJUSTMENT

Tighten guy ropes and then set
side poles to upright position.
Adjust pole positions and guy
rope tension to properly pull out
canopy.
Protective covers are
recommended for all stakes.



5 TAKE DOWN

Loosen all guy ropes.
Spread drop cloths.
Reverse steps 1 through 4 for
disassembly.

IMPORTANT:

Check Guys Ropes periodically for tightness
and maintaining of good condition. Stakes
provided are for average soil conditions.
Sandy soil or asphalt may require additional
staking. Proper installation suitable to site
conditions is the responsibility of the installer.
Store canopy in a cool, dry area. Never store
while wet or damp.



Thank you for purchasing an Anchor product. In return, we pledge Quality, Service and Craftsmanship and are available for any questions you may have or assistance you may need.

PHONE NUMBER

812-867-2421

FAX NUMBER

812-867-0547

Anchor products are of superior design and operate best within the parameters of these instructions. It is imperative that the instructions be carefully read and **COMPLETELY FOLLOWED**. Please read installation instructions before the installation or removal of this product. Installation instructions are available at www.anchorinc.com.

For additional assistance consult: "The IFAI Procedural Handbook For The Safe Installation And Maintenance Of Tentage" and the IFAI "Pullout Capacity Of Tent Stakes", both available from the IFAI Tent Rental Division.

CAUTION:

1. For each installation, the installer is solely responsible for evaluating the site and the proper securing method determined. Some soils require different staking or securing than that provided with the tent. Due to this variety of soil conditions, these are the manufacturer's suggested sequence of installation procedures. Anchor's responsibility is limited to the construction of the tent. We are not responsible for methods that installers may choose to secure the tent to the ground.
2. Inasmuch as the weather is unpredictable, good judgment and common sense must be incorporated within installation guidelines. It is the responsibility of the tent installer/maintainer to determine the severity of the weather, proper time and method of installation and/or erection and disassembly.

This product has been manufactured for use as a temporary sun shade structure. For the safety of all occupants, evacuation is recommended if threatening or windy weather occurs, or if there is any doubt concerning the safe use of this product.

3. Proper safety equipment should be used at all times to insure a safe installation and take down. We suggest a careful evaluation be made to determine safety equipment needed, such as hard hats, steel-toe shoes, safety glasses and other as required.
4. Anchor stands behind its products in accordance with its standard Terms and Conditions of sale. A copy of our Terms and Conditions of Sale can be obtained by contacting Anchor at the telephone number and/or address on this document.

